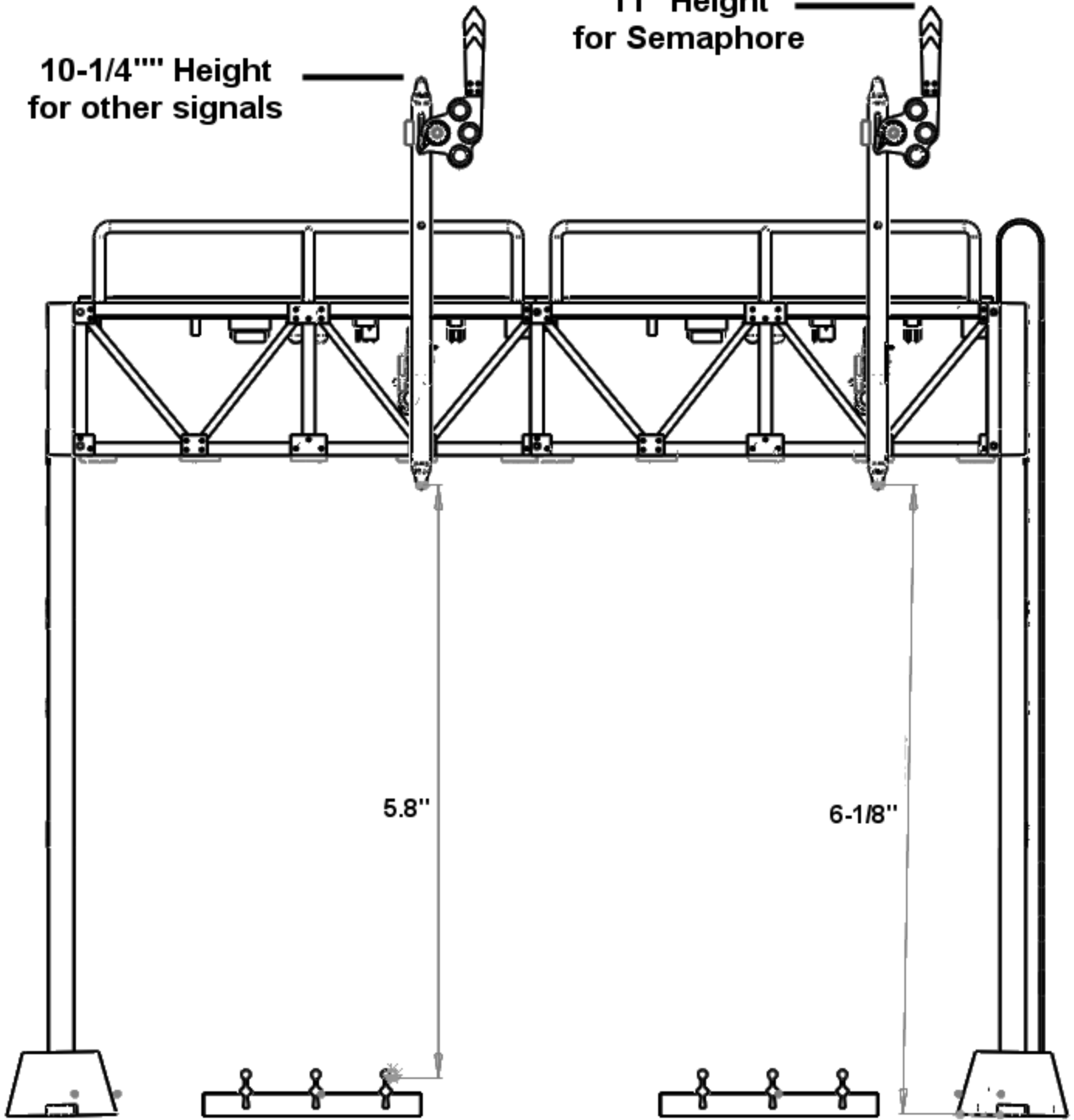


10-1/4" Height
for other signals

11" Height
for Semaphore



5.8"

6-1/8"