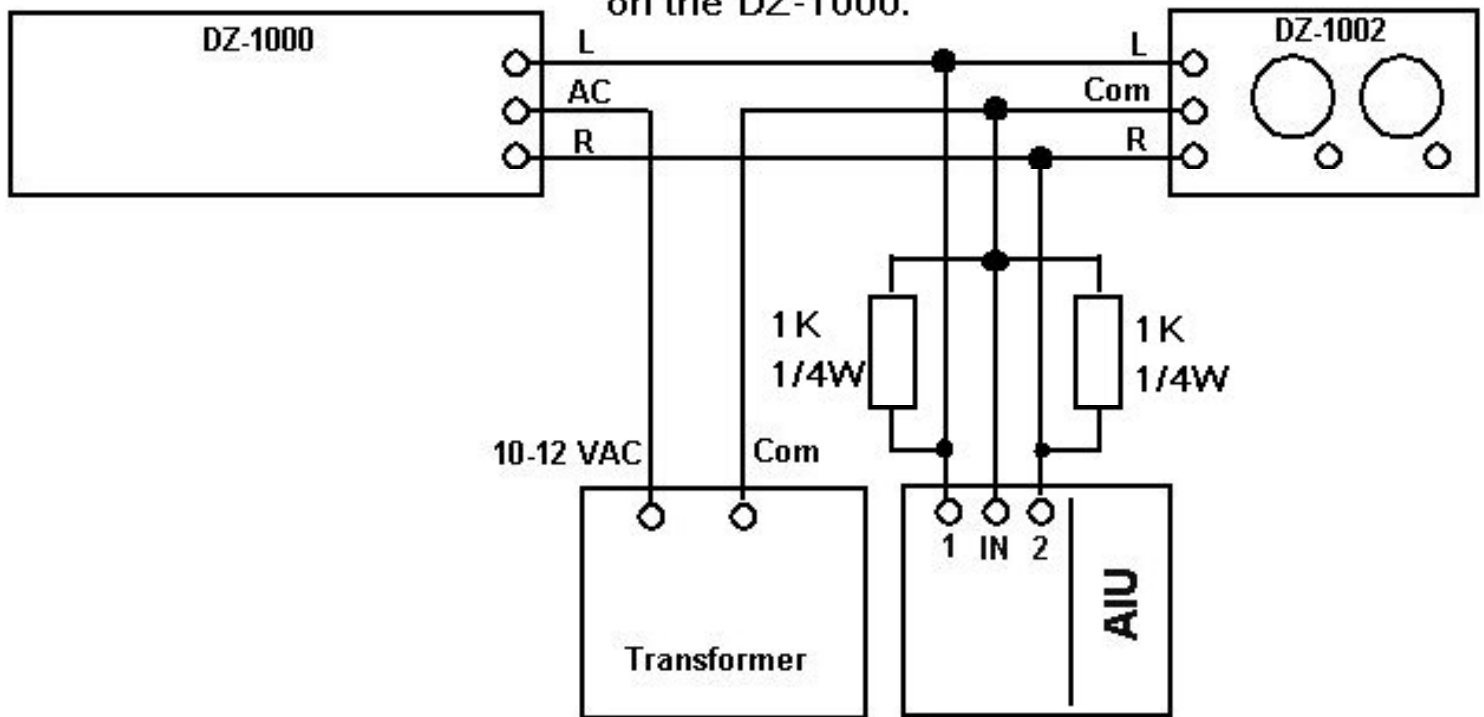


DZ-1000 Used with MTH's AIU

Use either the DZ-1002 Remote
OR the (2) 1K resistors
to keep the LED's lighted
on the DZ-1000.



The thru and turnout connections on the AIU
may need to be reversed to cause the correct
throw of the switch machine.