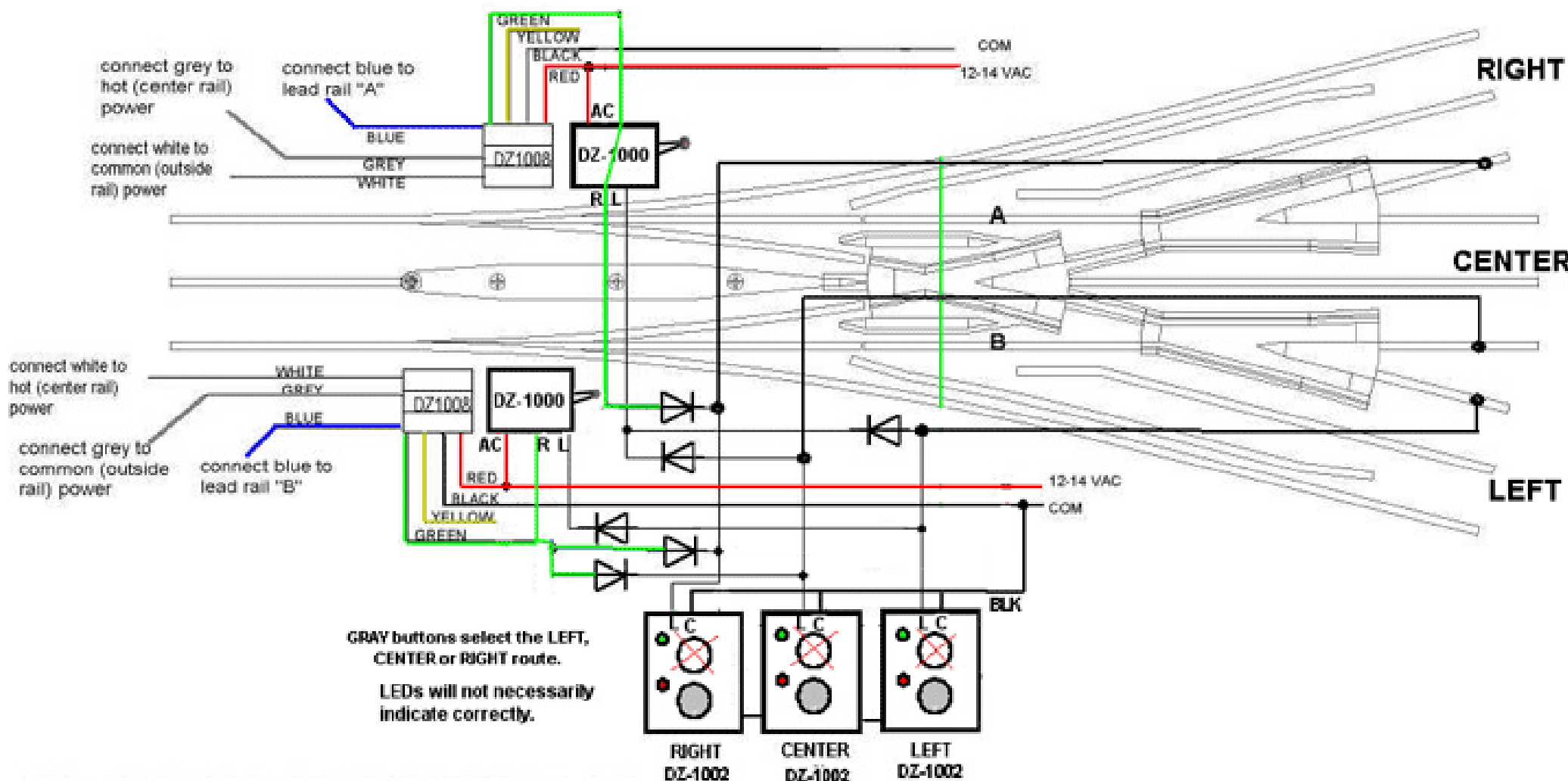


# ***Ross Custom Switches***

## **3-Way instructions.**

Your RossReady 3-way needs no special wiring if your engine's roller spacing is 4" or greater. If you happen to have engines that have smaller roller spacing you may want to wire the lead rails through the dz1008 relay as shown in the diagram below

\*The diagram depicts how the relays should be wired when the machines are mounted on top as they would be from the factory.



\* There is no power to the center rails of the 3 exiting lines. These are left this way for block control.