



# Z-Stuff for Trains

making model railroading more fun

Penfield, NY

drzander@aol.com

# DZ-1008A Relay Module

Rev 3-16-10

## Block Signal Contents:

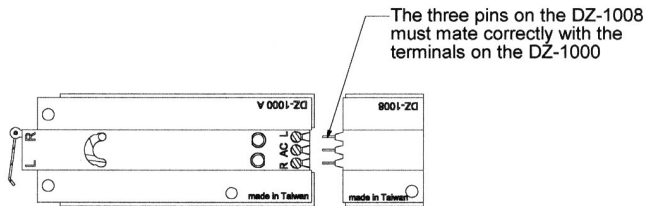
- (1) DZ-1008 Relay Module

Mounting screw

## Introduction:

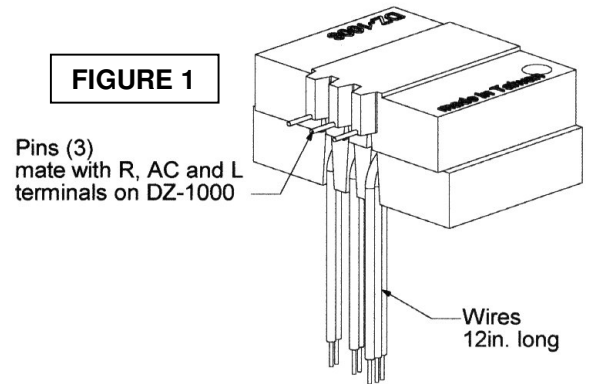
The relay module can be operated by the DZ-1000 or DZ-2500 switch machines, by the DZ-1011 Block signal/sensor, our trackside signals or an isolated rail. Its contacts can be used to control track power or high current accessories. The contacts are rated for **10 amperes at 24 VAC**.

## Installation on older DZ-1000 (w-screws)

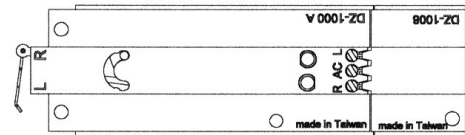


1. Remove wires from DZ-1000
2. Plug DZ-1008 into DZ-1000 making sure Dz-1008 pins are under screws of DZ-1000

FIGURE 1



3. Tighten DZ-1000 screws to hold pins of DZ-1008
4. Re-connect wires that were connected to DZ-1000 to the mating DZ-1008 wires



## Installation on newer DZ-1000 (w-pigtail wires)

The relay module can be connected to the DZ-1000 or DZ-2500 by connecting the RED, GREEN and YELLOW wires together. RED will connect to 14-16VAC and BLACK to COMMON or neutral.

## DZ-2500 and DZ-1008 Relay operation

Relay can be used to control signals or track power.

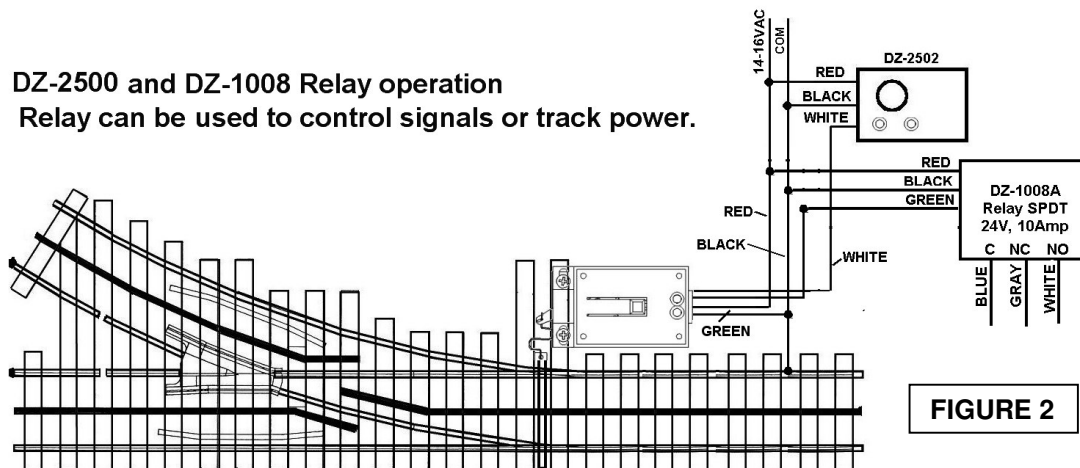
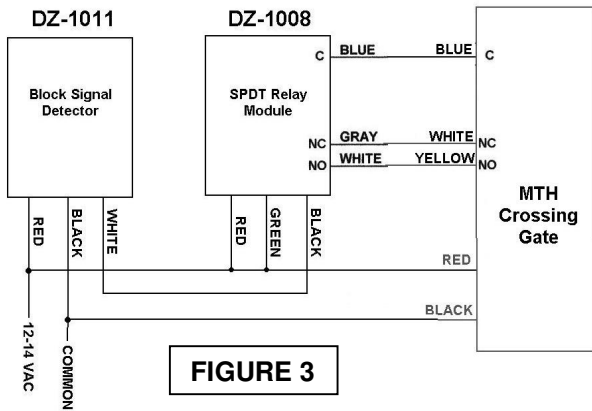


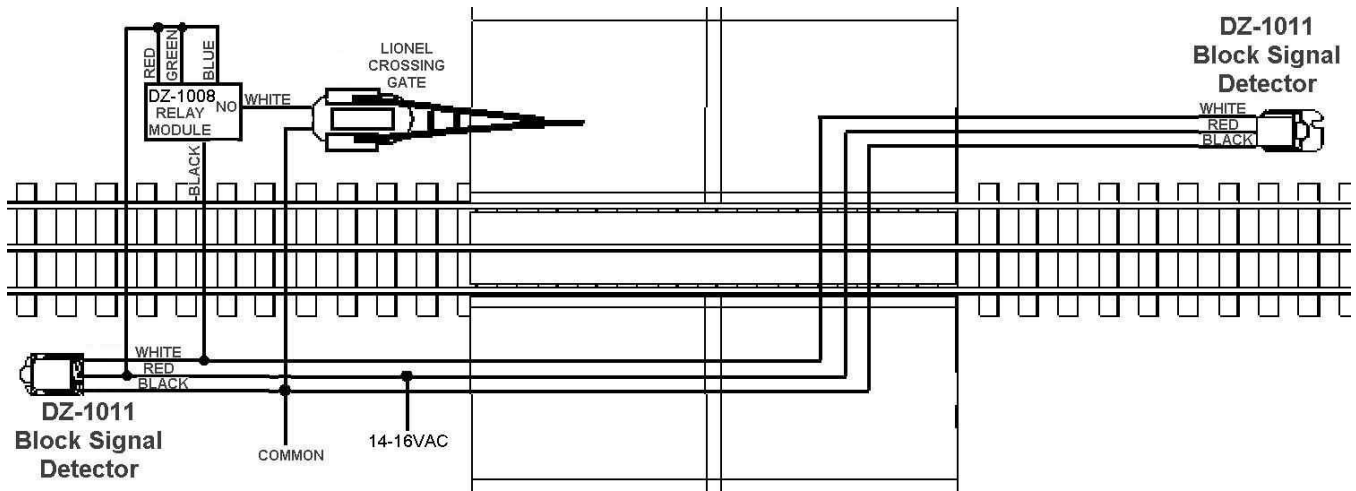
FIGURE 2

The DZ-1011s can be used to operate other accessories by using them to drive a DZ-1008 Relay Module. The connections to drive an MTH crossing gate are shown in FIGURE 3.



**FIGURE 3**

TABLE 1	
DZ-1011 Block Signal Detector	
Wire Color	Function
RED	14-16VAC
BLACK	COMMON
GREEN	R – DZ-1000
YELLOW	L – DZ-1000
BLUE	Relay – COM
GRAY	Relay – NC
WHITE	Relay - NO



Other applications can be found on [www.z-stuff.net](http://www.z-stuff.net)

