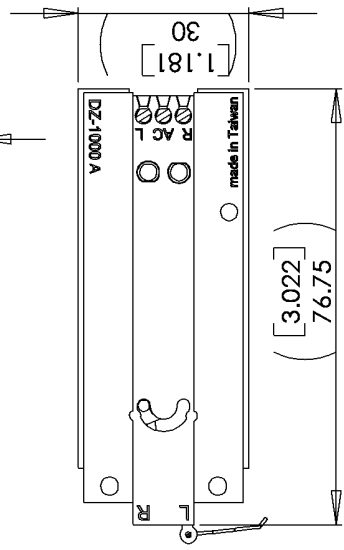
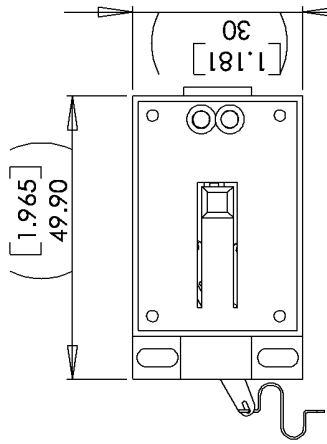
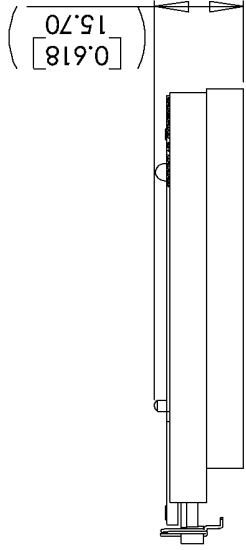
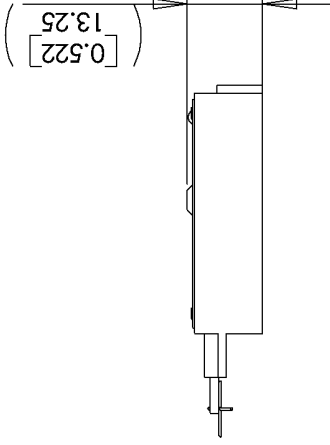


# DZ-2500 Switch Machine w/TMCC Z-Stuff for Trains 4-8-04



- Features:**
- Small Size 1.2Wx2.0Lx.48H
  - TMCC capable
  - Slow motion switching
  - Fast switching for non-derailing
  - Low Profile (0.52in high)
  - Pig-tail wires - color coded
  - Operates from 8-18V AC or DC
  - LED color indication by pushbutton selection
  - Only a Single wire runs to your control panel